

JUPITER SILVER TWIN ACCESSIBLE
CASS BAY, CHRISTCHURCH CITY COUNCIL



SALES DRAWING - INDICATIVE ONLY

REV	DESCRIPTION	DATE
1-B	LARGER CHANGE SEATS	02/11/2018
1-C	LIGHTS ABOVE DOOR, SIGNS ON DOORS, REAR SERVICE DOOR	19/07/2019

	New Zealand 26 Paramount Dve Henderson 0610 PO Box 33-256 Takapuna, Auckland T: +64-9-838-8912 F: +64-9-838-8913	Australia Unit 18, 62-66 Newton Rd Wetherill Park PO Box 12 Liverpool NSW 1871 T: +61-2-975-3444 F: +61-2-1-800-105-504	USA 954 Toro St San Luis Obispo CA 93401 PO Box 13310 San Luis Obispo CA 93406 T: (800) 676-5290 or 1-800-303-3506
	Description: JUPITER SILVER TIWN ACCESSIBLE, CASS BAY, CHRISTCHURCH CITY COUNCIL		
Material:	Finish:	Proj: Tolerance: Drawn by: JJG Creation Date: 29/10/2018	Units: 1 / 6 Checked by: Sheet No: Drawing No: AS-JUP42DD-NZ
		Rev: 1-C Rev Date: 19/07/2019	Approved by:
SCALE SPECIFIED IN VIEW LABEL		SPECIFICATION SUBJECT TO CHANGE WITHOUT NOTICE	

FRONT ELEVATION




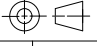
SALES DRAWING - INDICATIVE ONLY

	New Zealand 26 Paramount Dve Henderson 0610 PO Box 33-256 Takapuna, Auckland T: +64-9-838-8912 F: +64-9-838-8913	Australia Unit 18, 62-66 Newton Rd Wetherill Park PO Box 12 Liverpool NSW 1871 T: +61-2-975-3444 F: +61-2-1-800-105-504	USA 954 Toro St San Luis Obispo CA 93401 PO Box 13310 San Luis Obispo CA 93406 T: (800) 676-5290 or 1-800-303-3506
	Description: JUPITER SILVER TIWN ACCESSIBLE, CASS BAY, CHRISTCHURCH CITY COUNCIL		
Material:	Finish:	Proj: Tolerance: A3 Drawn by: JJG Creation Date: 29/10/2018	Units: 1-C Checked by: Sheet No: 2 / 6 Drawing No: AS-JUP42DD-NZ Rev. Date: 19/07/2019 Approved by:
SCALE SPECIFIED IN VIEW LABEL		SPECIFICATION SUBJECT TO CHANGE WITHOUT NOTICE	

SIDE ELEVATION




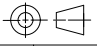
SALES DRAWING - INDICATIVE ONLY

		New Zealand 26 Paramount Dve Henderson 0610 PO Box 33-256 Takapuna, Auckland T: +64-9-838-8912 F: +64-9-838-8913	Australia Unit 18, 62-66 Newton Rd Wetherill Park PO Box 12 Liverpool NSW 1871 T: +61-2-975-3444 F: +61-2-1-800-105-504	USA 954 Toro St San Luis Obispo CA 93401 PO Box 13310 San Luis Obispo CA 93406 T: (800) 676-5290 or 1-800-303-3506	
Description: JUPITER SILVER TIWN ACCESSIBLE, CASS BAY, CHRISTCHURCH CITY COUNCIL		Proj: 	Units:	Rev: 1-C	Rev Date: 19/07/2019
Material:		Tolerance:	Size: A3	Checked by:	Approved by:
Finish:		Drawn by: JJG	Creation Date: 29/10/2018	Sheet No: 3 / 6	Drawing No: AS-JUP42DD-NZ
SCALE SPECIFIED IN VIEW LABEL		SPECIFICATION SUBJECT TO CHANGE WITHOUT NOTICE			

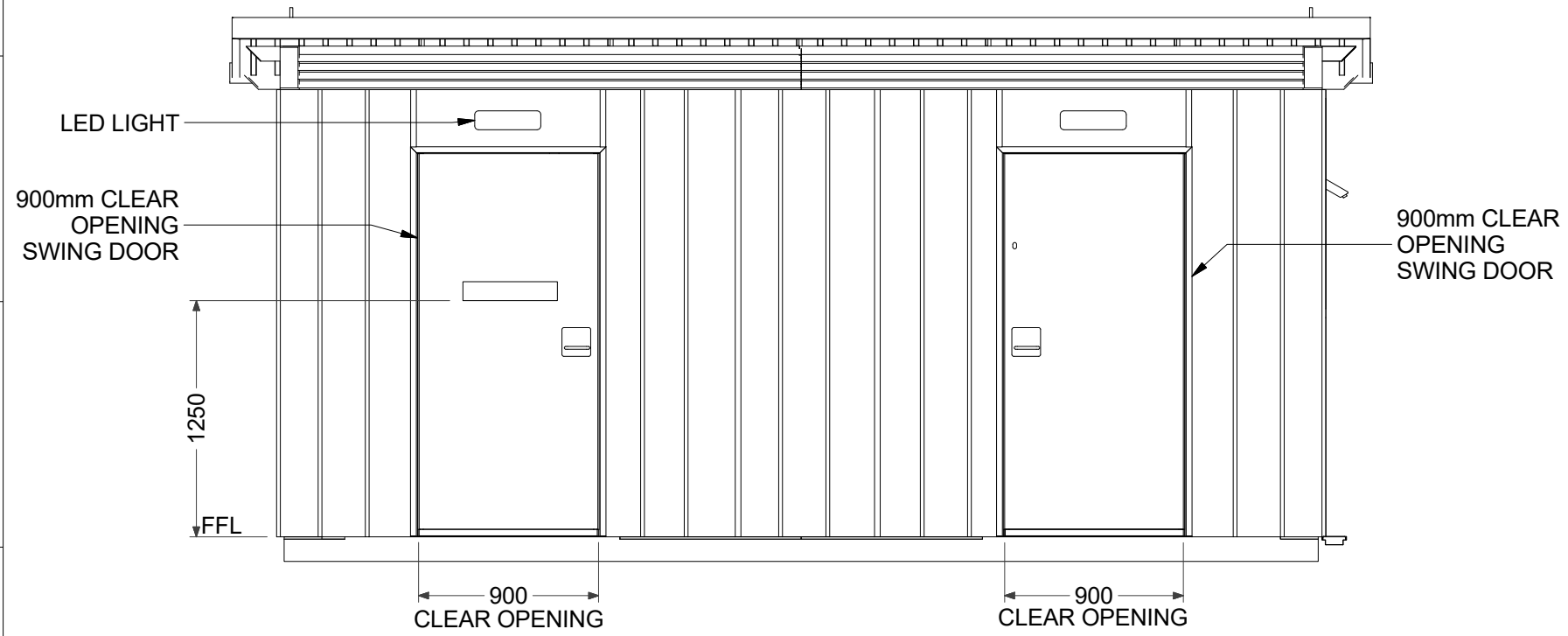
REAR ELEVATION



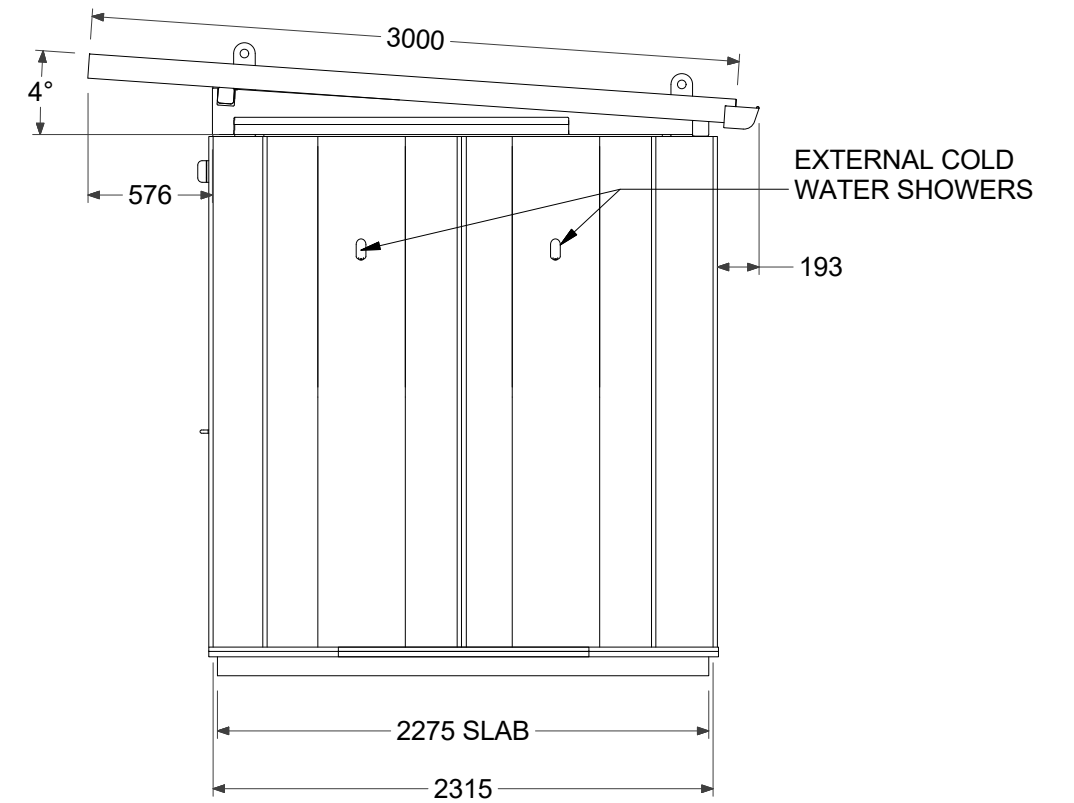
SALES DRAWING - INDICATIVE ONLY

	New Zealand 26 Paramount Dve Henderson 0610 PO Box 33-256 Takapuna, Auckland T: +64-9-838-8912 F: +64-9-838-8913	Australia Unit 18, 62-66 Newton Rd Wetherill Park PO Box 12 Liverpool NSW 1871 T: +61-2-975-3444 F: +61-2-1-800-105-504	USA 954 Toro St San Luis Obispo CA 93401 PO Box 13310 San Luis Obispo CA 93406 T: (800) 676-5290 or 1-800-303-3506		
	Description: JUPITER SILVER TIWN ACCESSIBLE, CASS BAY, CHRISTCHURCH CITY COUNCIL				
Material:	Finish:	Proj: 	Units:	Rev: 1-C	Rev Date: 19/07/2019
Tolerance:		Size: A3	Checked by:	Approved by:	
Drawn by: JJG		Creation Date: 29/10/2018	Sheet No: 4 / 6	Drawing No: AS-JUP42DD-NZ	
SCALE SPECIFIED IN VIEW LABEL		SPECIFICATION SUBJECT TO CHANGE WITHOUT NOTICE			

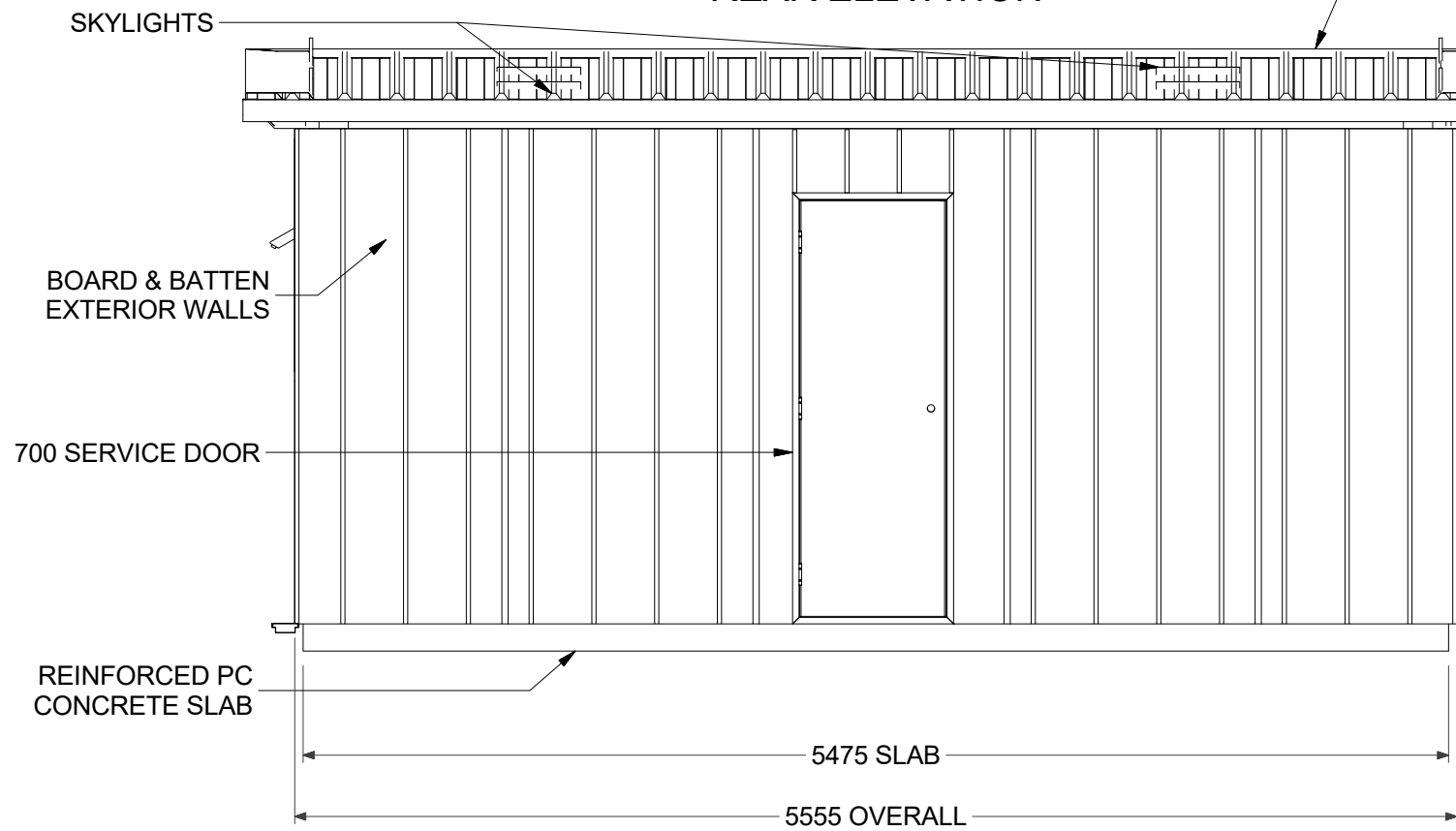
FRONT ELEVATION



RIGHT ELEVATION

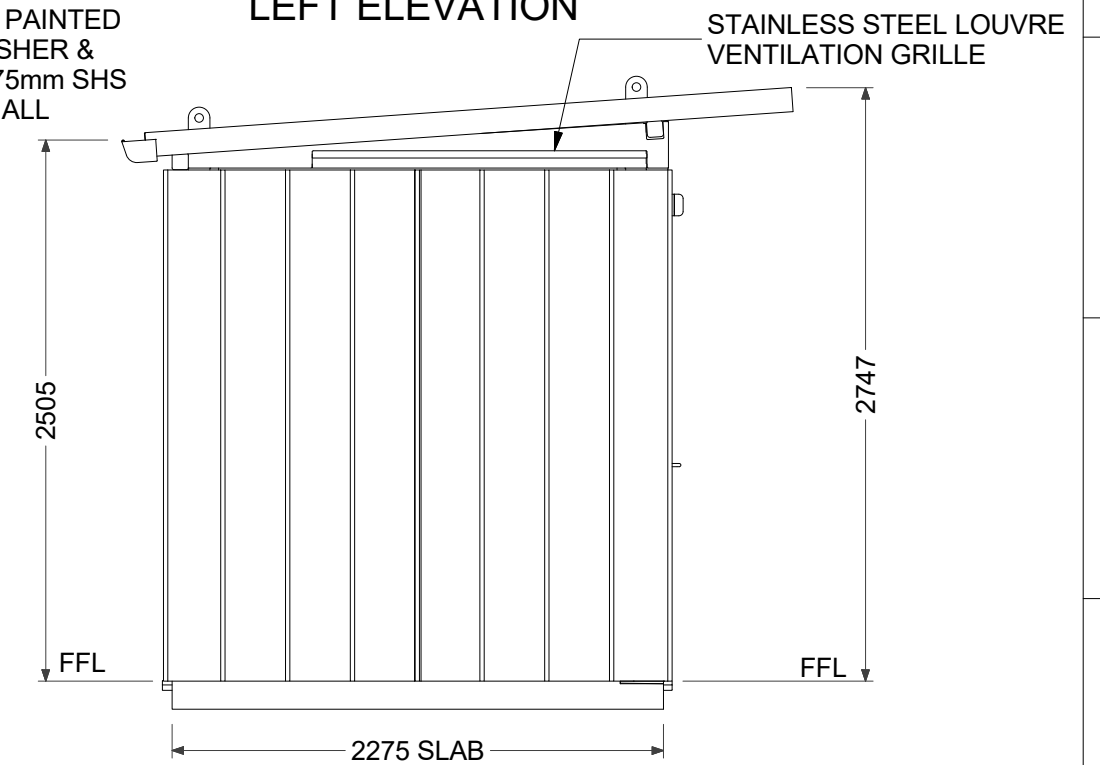


REAR ELEVATION



ROOFING: STRUCTURAL INSULATED PANEL FIXED WITH STEEL TITE HWF CLASS 5 14g 14x150mm TEK SCREW WITH AS 3566/EPDM SEAL, PAINTED GALVANISED PROFILE WASHER & 30mm EPDM WASHER ON 75mm SHS SUPAGAL ROOF RAFTERS ALL FLASHINGS .55mm ZM8

LEFT ELEVATION



SALES DRAWING - INDICATIVE ONLY



New Zealand
26 Paramount Dve Henderson 0610
PO Box 33-256 Takapuna, Auckland
T: +64-9-838-8912 F: +64-9-838-8913

Australia
Unit 18, 62-66 Newton Rd Wetherill Park
PO Box 12 Liverpool NSW 1871
T: +61-2-975-3444 F: +61-2-1-800-105-504

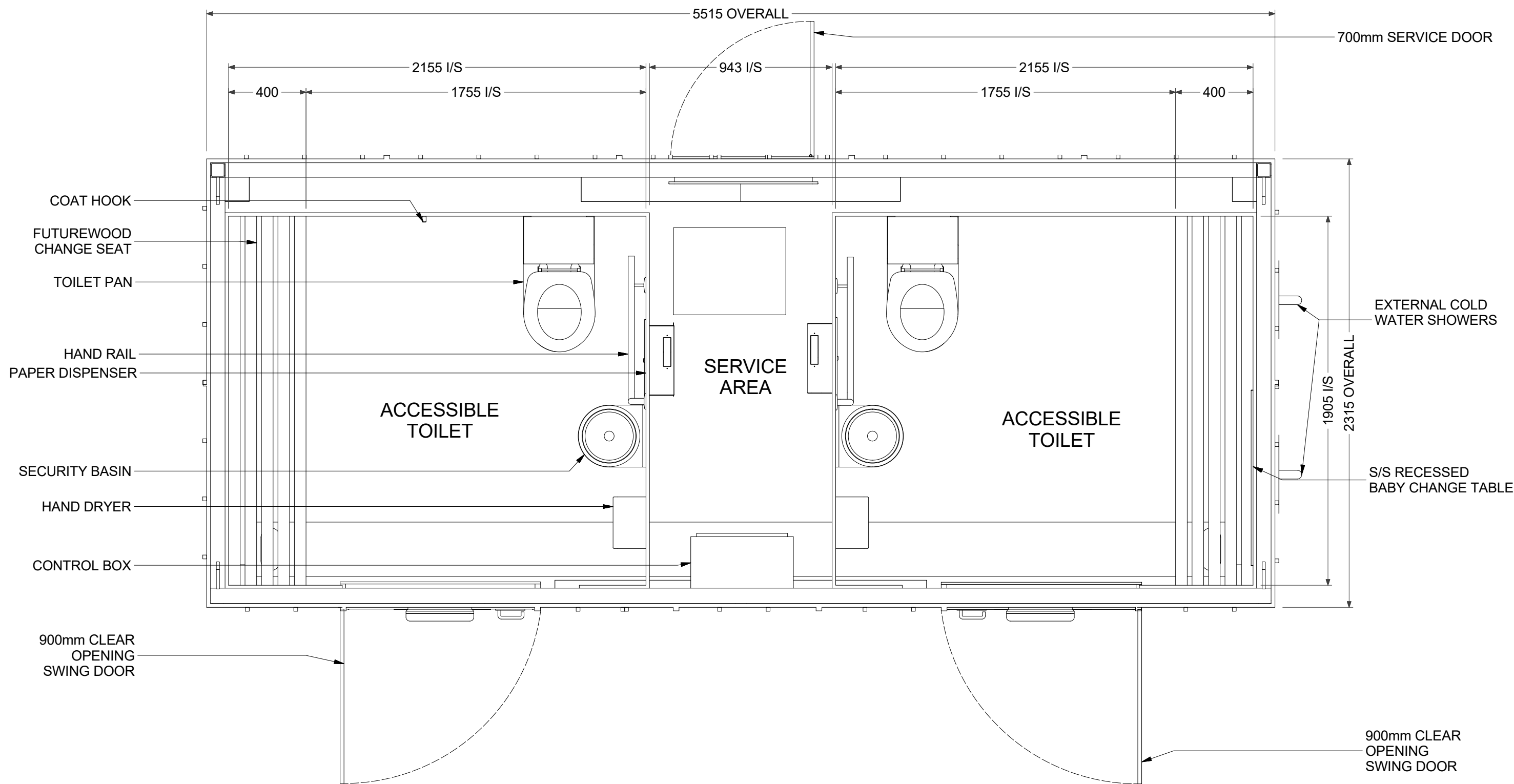
USA
954 Toro St San Luis Obispo CA 93401
PO Box 13310 San Luis Obispo CA 93406
T: (800) 676-5290 or 1-800-303-3506

Description: JUPITER SILVER TIWN ACCESSIBLE, CASS BAY, CHRISTCHURCH CITY COUNCIL		Proj: 	Units:	Rev: 1-C	Rev Date: 19/07/2019
Tolerance:	Size: A3	Checked by:	Approved by:		
Material:	Finish:	Drawn by: JJG	Creation Date: 29/10/2018	Sheet No: 5 / 6	Drawing No: AS-JUP42DD-NZ

SCALE SPECIFIED IN VIEW LABEL

SPECIFICATION SUBJECT TO CHANGE WITHOUT NOTICE

FLOOR PLAN



SALES DRAWING - INDICATIVE ONLY

		New Zealand 26 Paramount Dve Henderson 0610 PO Box 33-256 Takapuna, Auckland T: +64-9-838-8912 F: +64-9-838-8913	Australia Unit 18, 62-66 Newton Rd Wetherill Park PO Box 12 Liverpool NSW 1871 T: +61-2-975-3444 F: +61-2-1-800-105-504	USA 954 Toro St San Luis Obispo CA 93401 PO Box 13310 San Luis Obispo CA 93406 T: (800) 676-5290 or 1-800-303-3506	
Description: JUPITER SILVER TIWN ACCESSIBLE, CASS BAY, CHRISTCHURCH CITY COUNCIL		Proj:	Units:	Rev: 1-C	Rev Date: 19/07/2019
Tolerance:	Size: A3	Checked by:	Approved by:		
Material:	Finish:	Drawn by: JJG	Creation Date: 29/10/2018	Sheet No: 6 / 6	Drawing No: AS-JUP42DD-NZ
<small>SCALE SPECIFIED IN VIEW LABEL</small>		<small>SPECIFICATION SUBJECT TO CHANGE WITHOUT NOTICE</small>			